

# Appendix B

## Schematics for Stark Effect

### Controller Electronics

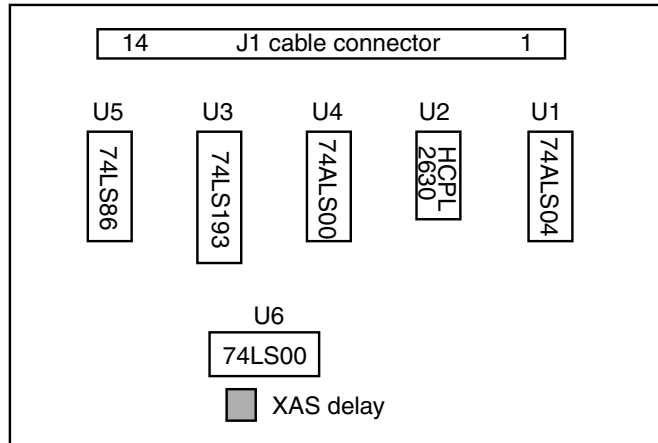
*I saw before me a vast multitude of small straight  
lines...interspersed with other Beings still smaller and of  
the nature of lustrous points.*

— Edwin A. Abbott

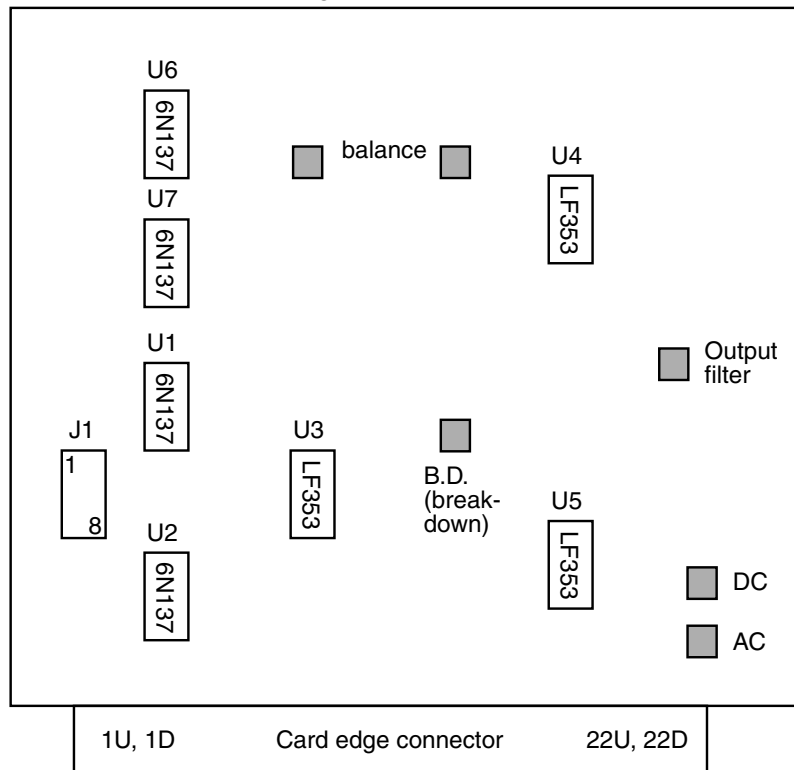
*Flatland. A Romance of Many Dimensions*

### Circuit Board Layouts

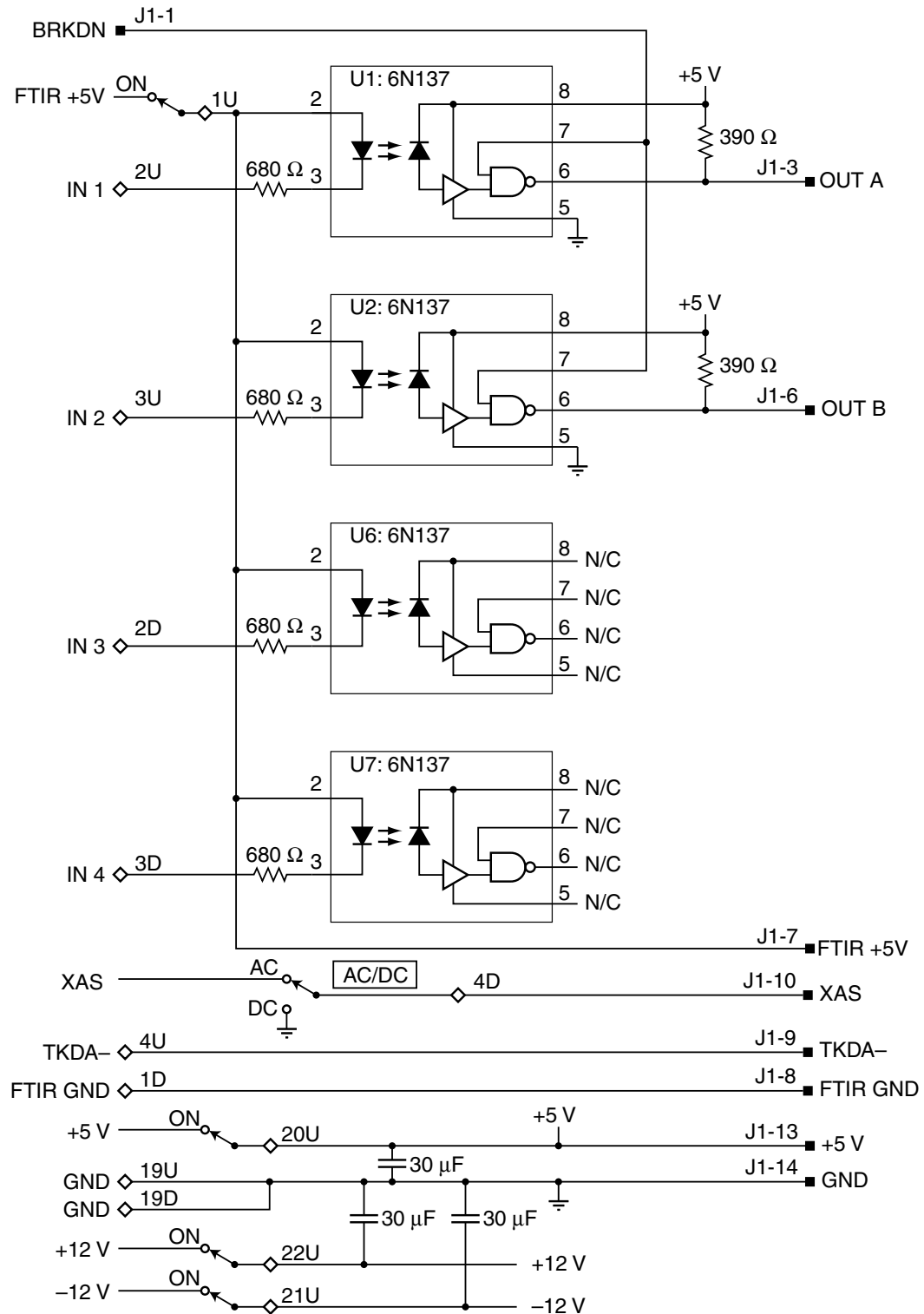
Digital circuit board



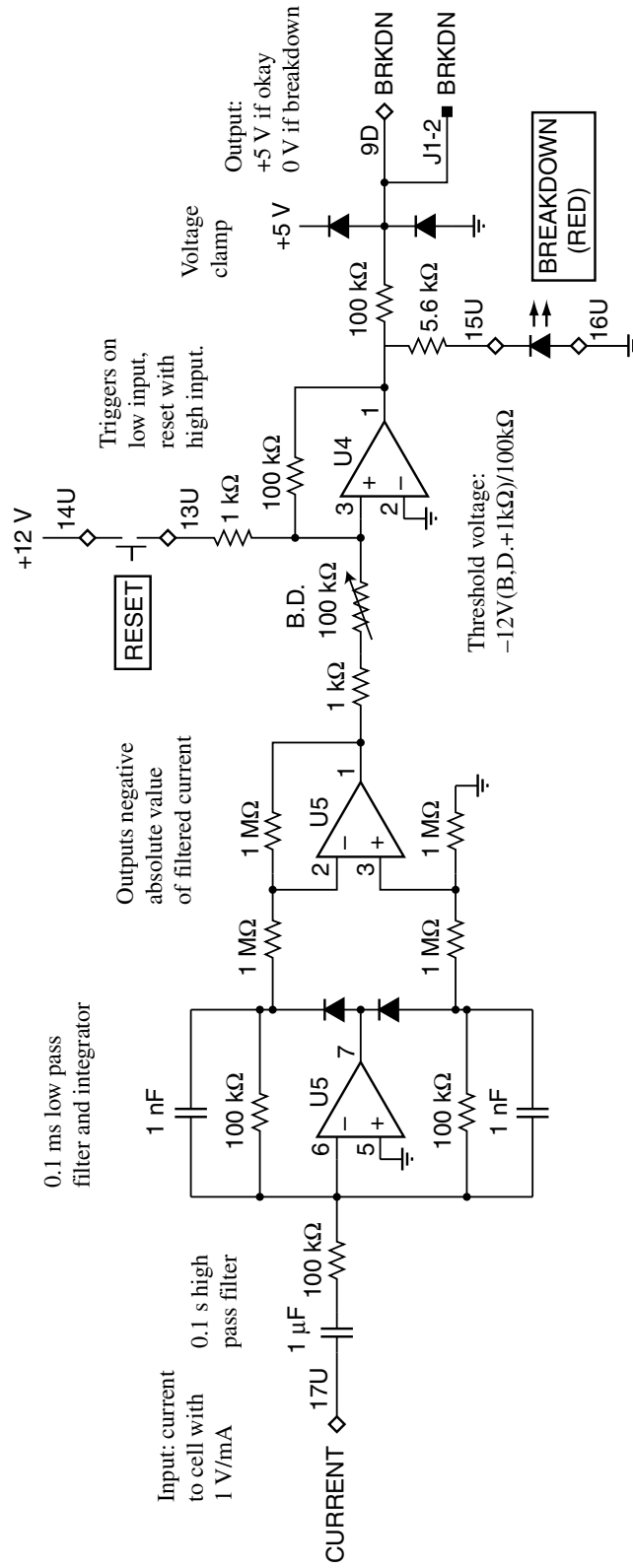
Analog circuit board



### Input Circuitry

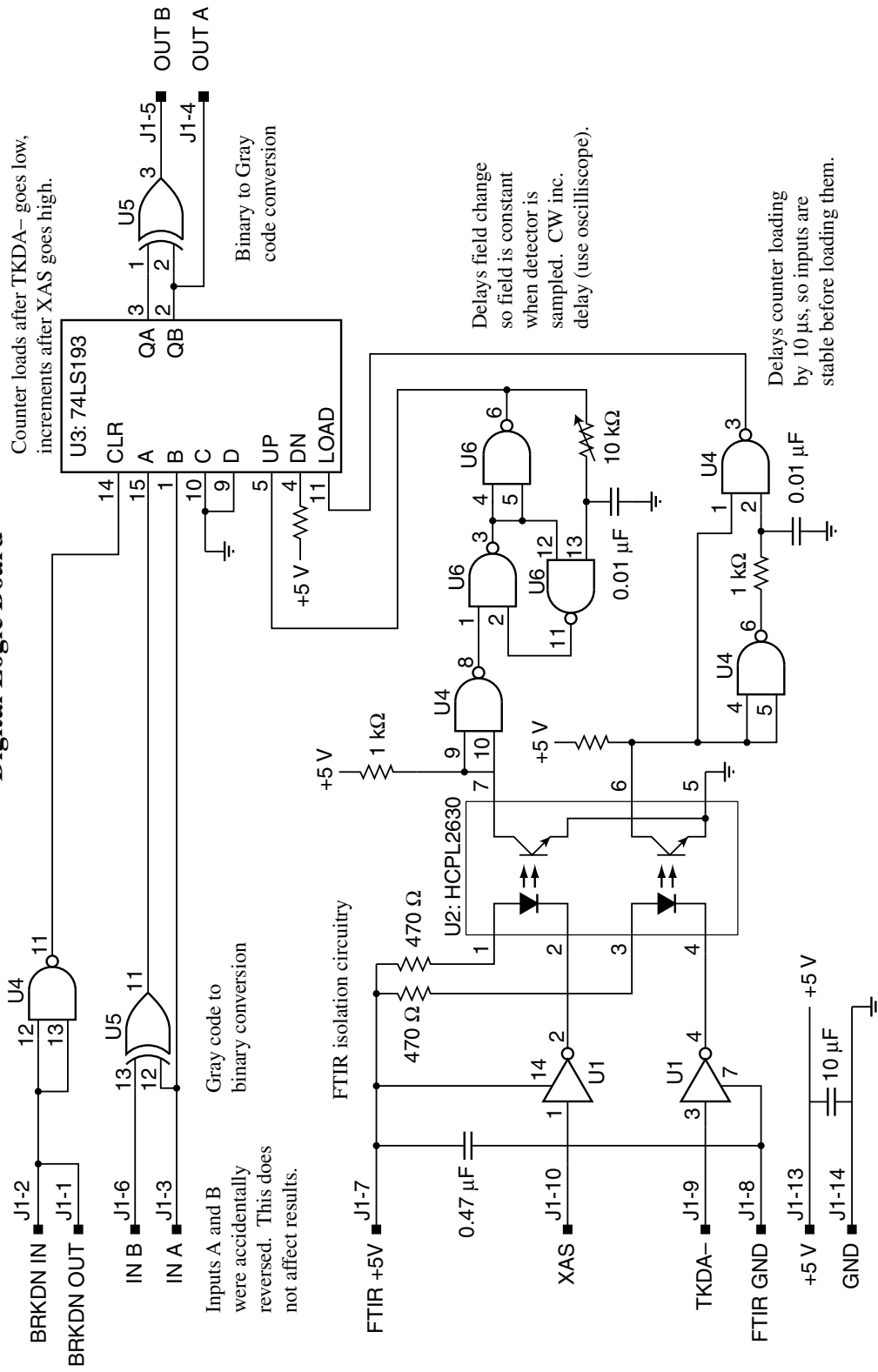


### Breakdown Detector





**Digital Logic Board**



**Timing Diagram for AC Operation**

